

# Surgical technique of the Noviomagus Femoral Head Reamer Set



**Application:** This device is solely meant for fixating a femoral head, removing cartilage from a femoral head and cutting the femoral head with a saw or osteotome into two halves.

## **Instructions for assembly of the Bone Vice**

1. Screw the Screw Handle into the Screw Handle Block.
2. Push the Detachable Clamp on the Screw Handle.

## **Instructions for disassembly of the Bone Vice**

1. Push the button on the side of the Detachable Clamp and remove the clamp from the Screw Handle.
2. Unscrew the Screw Handle from the Screw Handle Block.



Fig.1

## **Surgical technique of the Noviomagus Femoral Head Reamer Set**

1. Assemble Bone Vice according to assembly instructions.
2. Use the Bone Vice on the table or in the Sterilization Tray.
3. Place femoral head against fixed clamps.
4. Screw Detachable Clamp tightly to the femoral head using the Screw Handle.
5. Install Splash Shield on the Base Plate.
6. Choose Inverted Reamer size and connect to power drill or T-Handle.
7. Remove cartilage with Inverted Reamer (Fig.1).
8. Make a cut in upper half of the femoral head and split head in two parts with saw or osteotome (Fig.2).
9. Unscrew Screw Handle.
10. Remove femoral head halves.

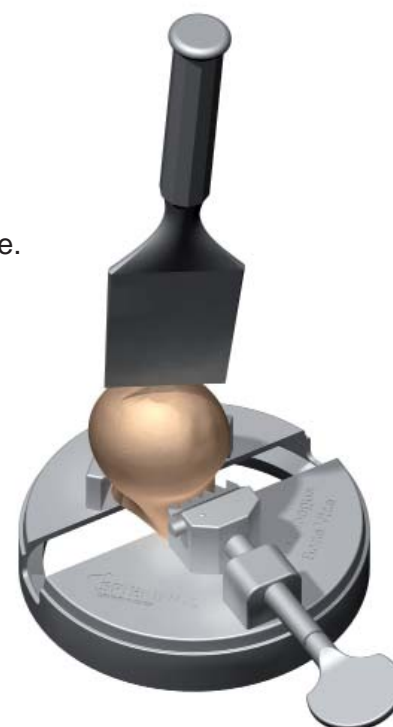


Fig.2

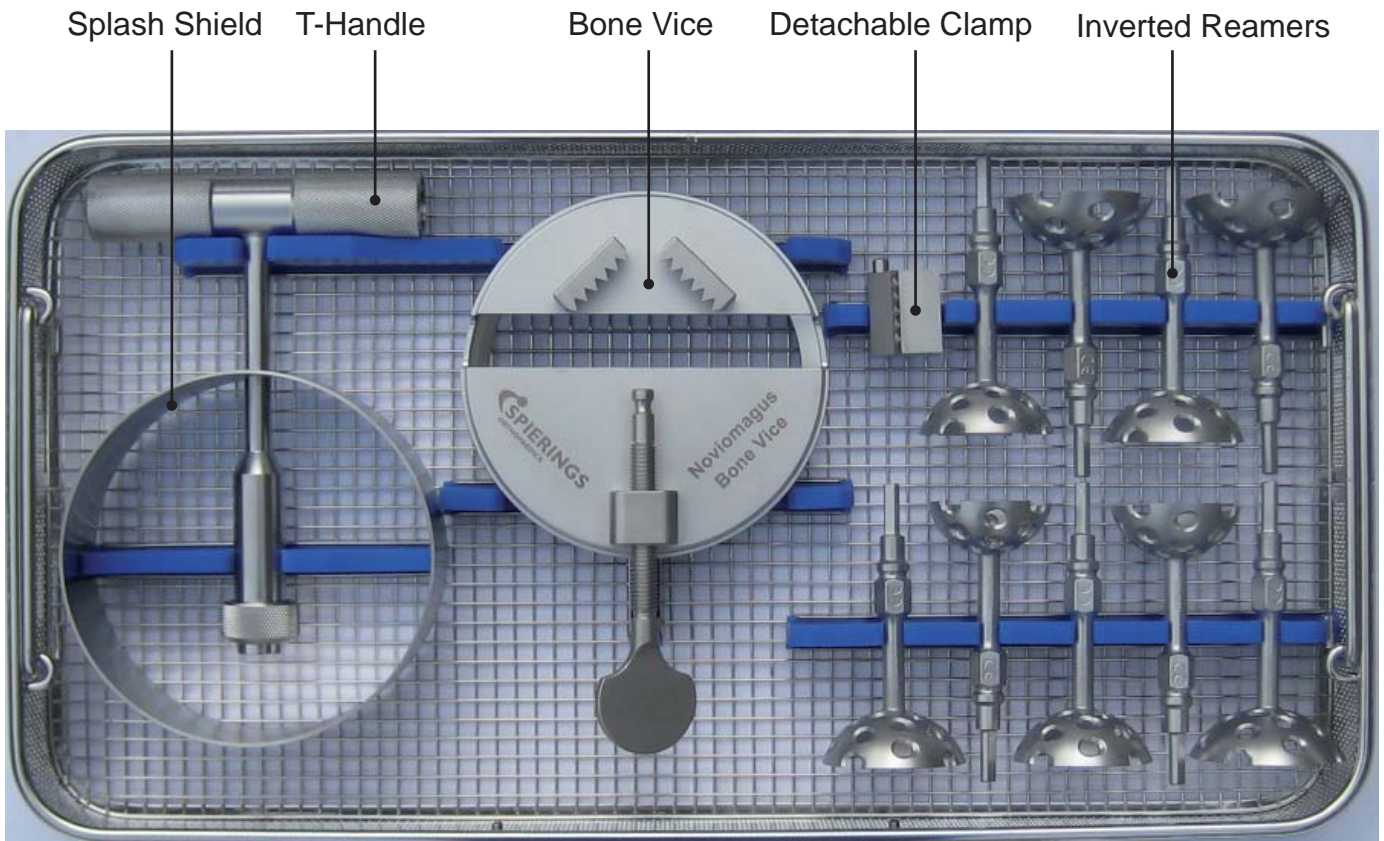
## **Safety instructions**

1. For assembly, disassembly and use follow the instructions above.
2. Be careful with the sharp teeth of the clamps.
3. Prevent collision between saw or osteotome and Base Plate.

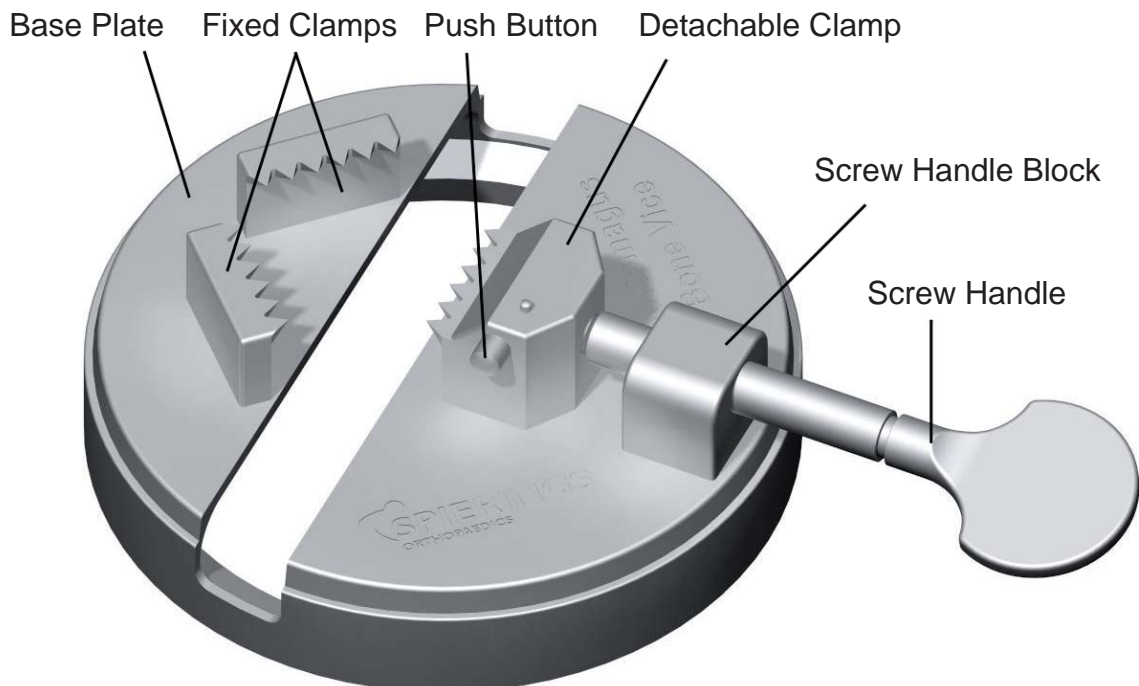


- For instructions for use see document "Instructions for use of reusable surgical instrumentation" (IFU-MOI001).
- For reprocessing of reusable medical devices see document "Reprocessing of reusable medical devices" (REP-MOI005).

## Sterilization Tray



## Bone Vice



 **Spierings Orthopaedics B.V.**

Madoerastraat 24  
6524 LH Nijmegen  
The Netherlands

Tel: +31 - 24 - 35 01 603  
Fax: +31 - 24 - 35 01 604

©2012 Spierings Orthopaedics B.V. All rights reserved. Printed in the Netherlands.

February 2012, SUR-SBM003-2 EN